



SCHÜCO FOCUSING WINDOWS

with Reduced Carbon Footprint

Schüco Focusing Windows

The innovative Schüco Focusing PVC system stands out for its minimalist design, excellent thermal performance, and optimized environmental characteristics thanks to a reduced embedded CO₂ content. With a slim installation depth of 70 mm, it offers broad design possibilities and is suitable for both new builds and renovations.

The new Schüco Focusing system provides benefits wherever environmentally friendly and sustainable building technologies are a priority. Schüco Focusing maximizes the use of recycled materials in its core and is fully recyclable at the end of its lifecycle. This ensures that Schüco Focusing can help reduce the embodied CO₂ emissions of the building envelope.



Meets
the requirements:

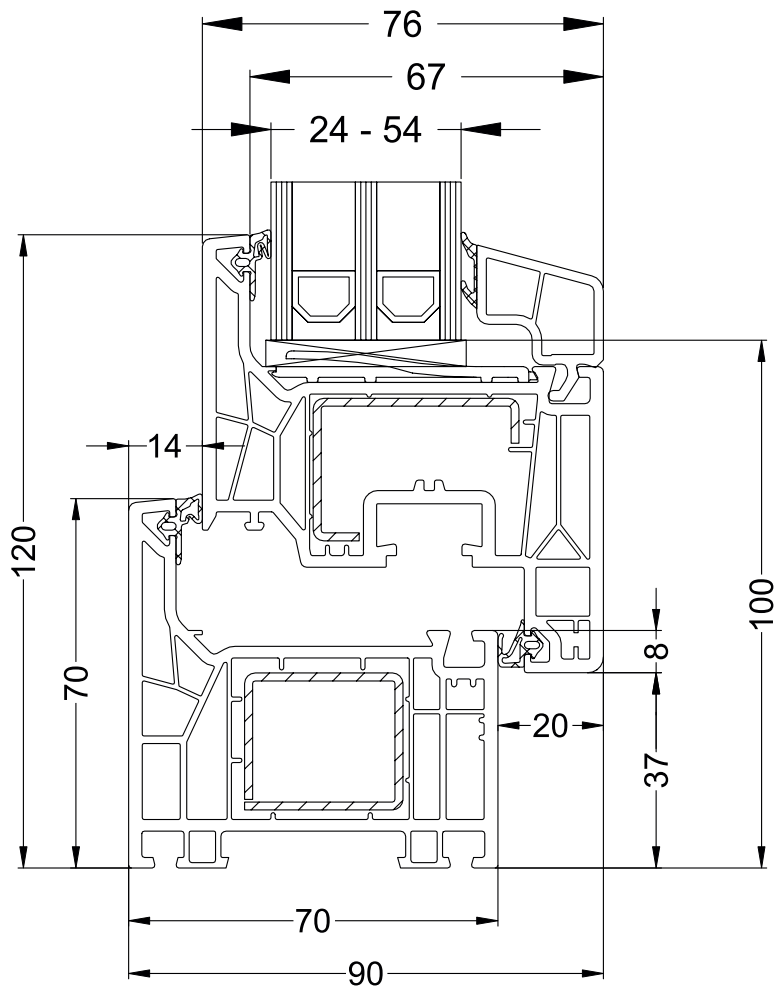


BREEM®

ADVANTAGES:

- **Design:** With modern contours and minimal protrusions, the system aligns perfectly with current architectural trends and suits any façade
- **Wide Color Range:** Over 300 decorative foils and various profile colors
- **Extensive Accessories:** A broad selection of additional accessories and handles
- **Efficiency:** The system features outstanding thermal insulation
- **Versatility:** Schüco FocusIng can be combined with other PVC and aluminum windows, doors, and sliding systems, integrating seamlessly into various façade concepts





Technical Information	Schüco FocusInG Windows
Dimensions	
Frame installation depth	70 mm
Sash installation depth	76 mm
Possible glazing thickness for the sash	16-52 mm
Possible glazing thickness for the frame	10-48 mm
Maximum sash height	2600 mm
Maximum sash width	1500 mm
Maximum sash weight	120 kg
Testing and Standards	
Frame U _f value	≥U _f = 1,1 W/(m ² K)
Air permeability	Class 4
Water tightness	Class 9A
Resistance to wind load	Up to klasy B5
Sound insulation	to 48 dB



www.awilux.com

