



SCHÜCO ALU INSIDE NORDIC

Schüco Alu Inside Nordic

The innovative Schüco Alu Inside Nordic window system is designed for Nordic-style houses. It allows for the combination of limitless design possibilities in light-filled architecture with high thermal insulation at the passive level.

Schüco Alu Inside Nordic is a system of windows that open outward. This is a very popular solution in Scandinavian markets, but it can also be an interesting alternative to other markets.

The innovative design uses PVC technology combined with continuous aluminum reinforcements, which eliminates thermal bridges while ensuring high energy efficiency and optimal window stability. The outward opening mechanism allows for excellent sealing performance. The hardware significantly increases anti-burglary security as well.

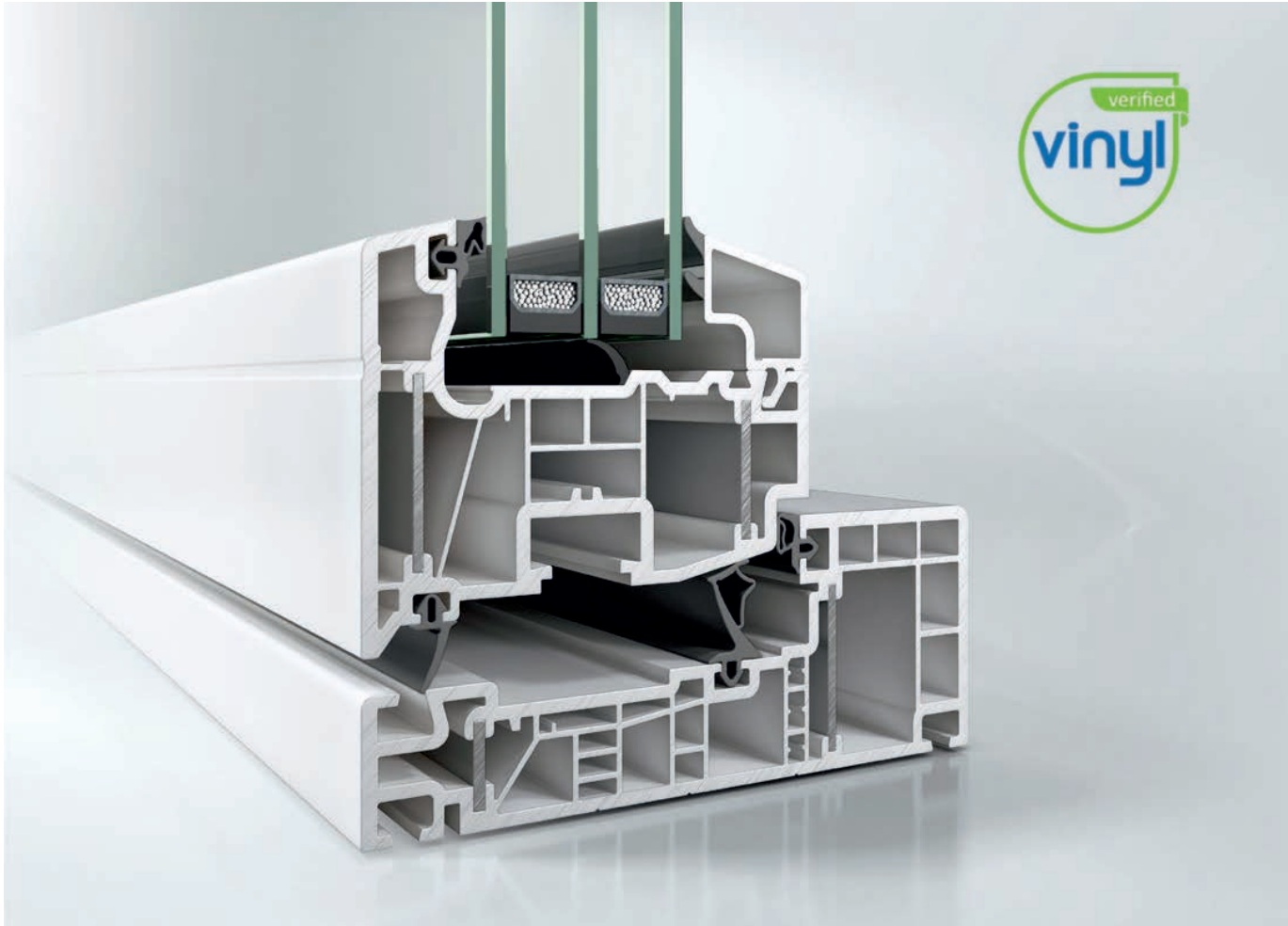
The Alu Inside Nordic windows available in AWILUX'S offer have enhanced the functionality of the typical Scandinavian window. In addition to the outward-opening and top-hinged mechanisms, there is also the option of Top-Swing pivoting sashes.

This feature allows the external surface of the sash to be freely rotated inside the room, enabling safe and convenient cleaning.

Another advantage of the system is the protection of the hardware from dirt and corrosive moisture. When closed, the mechanism is hidden in a well-sealed recess in the profile. Three independent sealing planes provide additional protection against weather conditions and noise.

The front width of the frame is only 94.5 mm, which increases the glass surface and improves natural light penetration into the interior.





ADVANTAGES OF THE SYSTEM:

- Excellent thermal insulation: U_f up to $0.87 \text{ W}/(\text{m}^2\text{K})$
- Outward-opening window system
- Typical Scandinavian design with an external decorative groove
- Possibility to use many traditional opening variants
- Excellent static performance that meets even the highest requirements
- Very high rigidity of the seven- and eleven-chamber structure
- Smooth aluminum reinforcement surfaces minimize heat transfer
- Three sealing levels provide protection against wind, noise, and cold
- The use of glass bonding technology in standard sashes
- Teknologisk Institut Aarhus certification



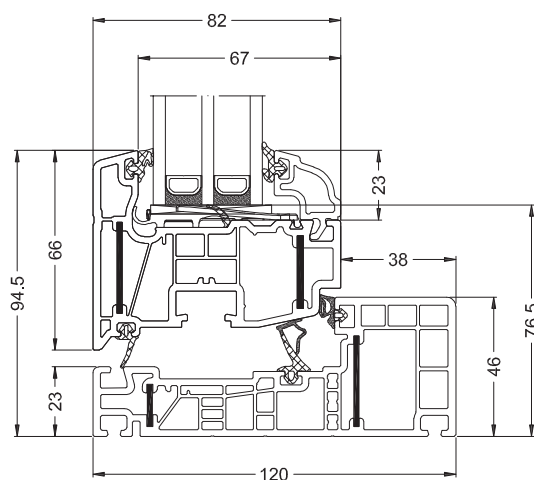
Closed window Schuco Alu Inside Nordic (tilt window)



Open window Schuco Alu Inside Nordic

Technical Information	Schüco Alu Inside Nordic
Dimensions	
Installation depth of the frame	120 mm
Depth of the sash	82 mm
Glass thickness	18 mm - 52 mm
Tests and standards	
Thermal insulation according to EN 12412-2	$U_f = 0.87 \text{ W}/(\text{m}^2\text{K})$
Air permeability according to EN 12207 (class)	4
Water tightness according to EN 12208 (class)	do E 1200
Wind load resistance according to EN 12210 (class)*	C3

*depending on the profile



www.awilux.com

